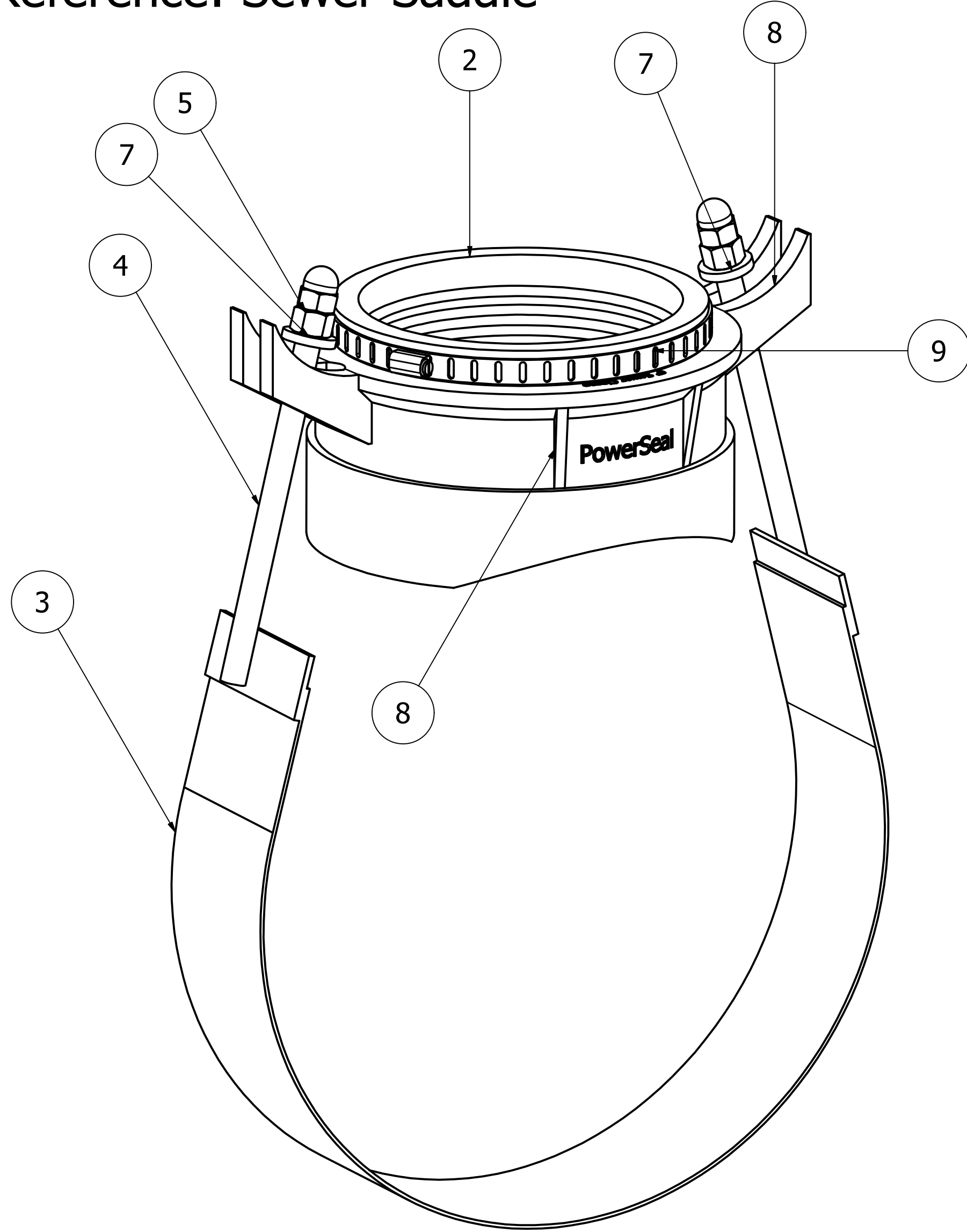


Reference: Sewer Saddle



ASSEMBLY BILL OF MATERIALS

ITEM	QTY	PART NAME	MATERIAL	MAT. SPEC.
1	1	Casting	Ductile Iron	ASTM A536
2	1	Gasket	SBR	ASTM D2000
3	1	3 1/2" wide Adjustable Strap	Type 304 Stainless Steel	ASTM A240
4	2	1/2" Stud Bolt	Type 304 Stainless Steel	ASTM A193
5	2	Hex Nut	Type 304 Stainless Steel	ASTM A194
6	2	Washer	Type 304 Stainless Steel	ASTM A240
7	2	Washer	Friction - Delrin Plastic	MIL - A50424
8	1	Finish	Epoxy	AWWA C210
9	1	Steel Hose Clamp Strap	Stainless Steel	T-304

Nominal Branch Size	Nominal Pipe size	Pipe O.D. Range	Branch Type	Branch O.D.	Part Number
4"	6"-12" 48" Strap	6.27-14.40 Regular Gasket	PVC Sewer	4.215	EL- 4.215
			Ty Seal	4.28	EL- 4.28
			C.I. soil-No-Hub	4.38	EL- 4.38
			PVC	4.50	EL- 4.50
			Universal	4.20-4.80	EL- 4.80UN
			Clay	5.00-5.38	EL- 5.38*
	14"-24" 96" Strap	14.40-25.8 0 Large OD Gasket	PVC Sewer	4.215	EL- 4.215LS
			Ty Seal	4.28	EL- 4.28LS
			C.I. soil-No-Hub	4.38	EL- 4.38LS
			PVC	4.50	EL- 4.50LS
			Universal	4.20-4.80	EL- 4.80UNLS
			Clay	5.00-5.38	EL- 5.38LS
24"-48" 192" Strap	25.80-54.0 0 Large OD Gasket	PVC Sewer	4.215	EL- 4.215XLS	
		Ty Seal	4.28	EL- 4.28XLS	
		C.I. soil-No-Hub	4.38	EL- 4.38XLS	
		PVC	4.50	EL- 4.50XLS	
		Universal	4.20-4.80	EL- 4.80UNXLS	
		Clay	5.00-5.38	EL- 5.38XLS	
6"	8"-12" 48" Strap	8.00-14.40 Regular Gasket	PVC Sewer C.I. Soil-No-Hub	6.27-6.30	EL- 6.30
			Universal	6.27-6.66	EL- 6.66UN
			Cast Iron - D.I.	6.90	EL- 6.90
			Clay	7.19-8.00	EL- 8.00
	14"-24" 96" Strap	14.40-25.80 Large OD Gasket	PVC Sewer C.I. Soil-No-Hub	6.27-6.30	EL- 6.30LS
			Universal	6.27-6.66	EL- 6.66UNLS
			Cast Iron - D.I.	6.90	EL- 6.90LS
			Clay	7.19-8.00	EL- 8.00LS
	24"-48" 192" Strap	25.80-54.00 Large OD Gasket	PVC Sewer C.I. Soil-No-Hub	6.27-6.30	EL- 6.30XLS
			Universal	6.27-6.66	EL- 6.66UNXLS
			Cast Iron - D.I.	6.90	EL- 6.90XLS
			Clay	7.19-8.00	EL- 8.00XLS

DRAWN M.HAVENS	10/21/16	PowerSeal P.O. Box 2014 Wichita Falls, Texas Sewer Saddle
CHECKED		
QA		
MFG		
APPROVED		TITLE SIZE A2 DWG NO Sewer Saddle Sub SCALE REV SHEET 1 OF 1

THIS DRAWING AND ALL INFORMATION THEREON IS THE PROPERTY OF PAM, LTD. AND SHALL NOT BE USED, COPIED, OR REPRODUCED WITHOUT WRITTEN CONSENT. ALL DESIGN AND INVENTION RIGHTS ARE RESERVED.