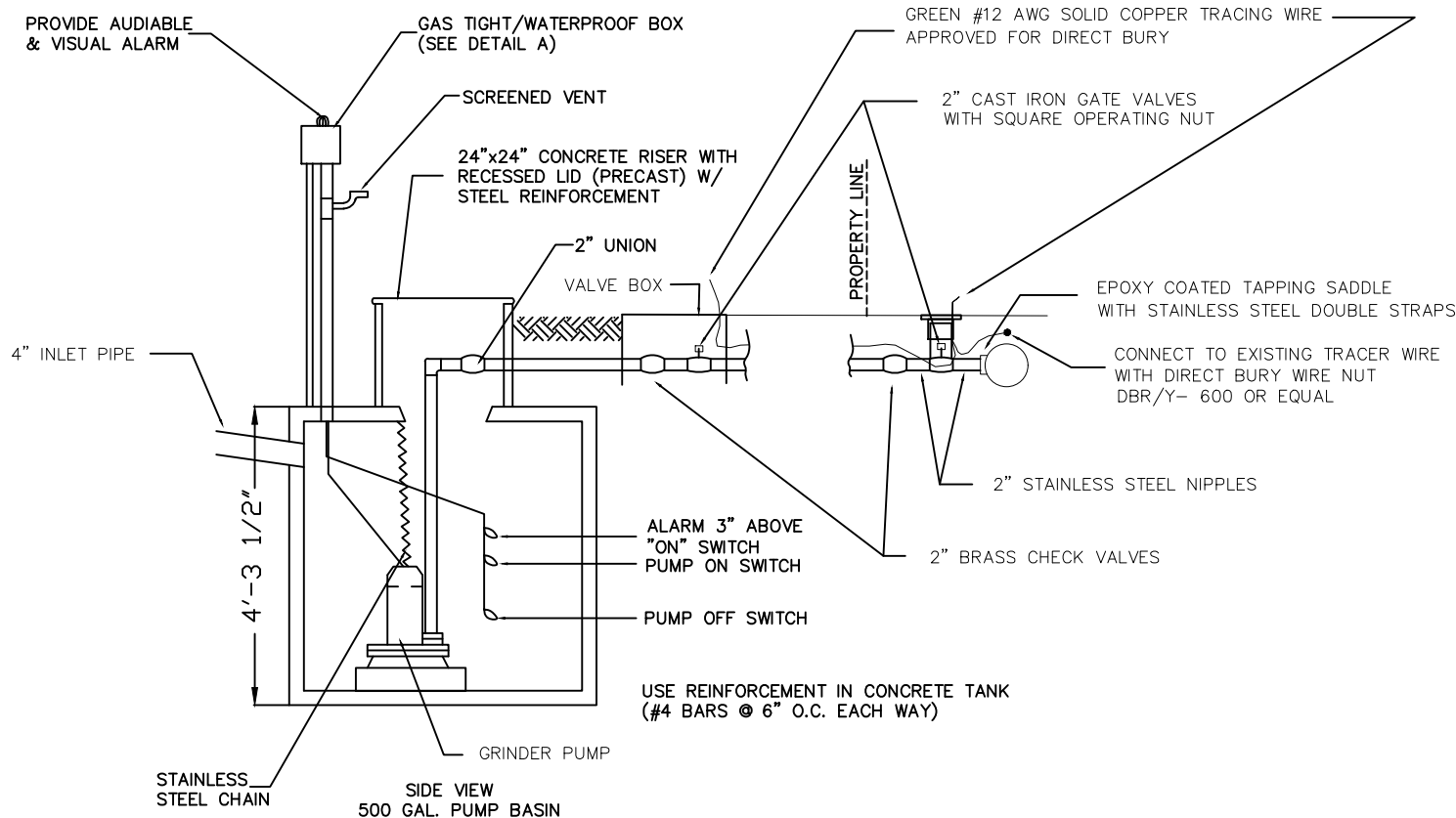


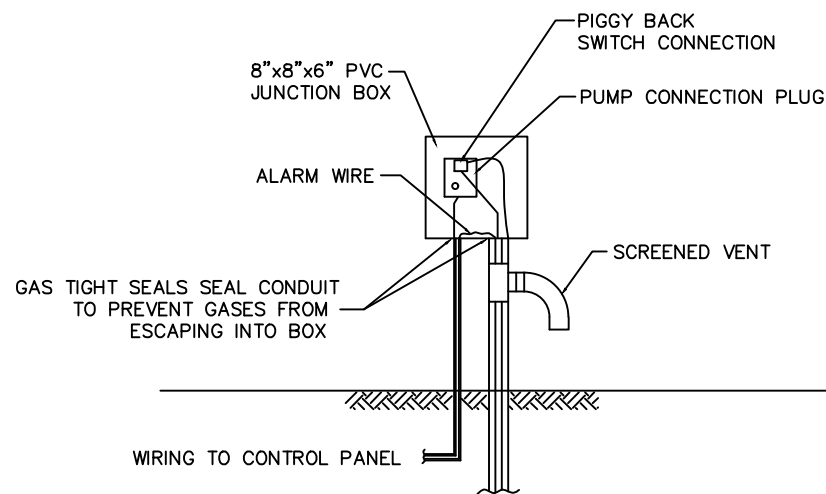
INDIVIDUAL GRINDER PUMP STATION

NOTES

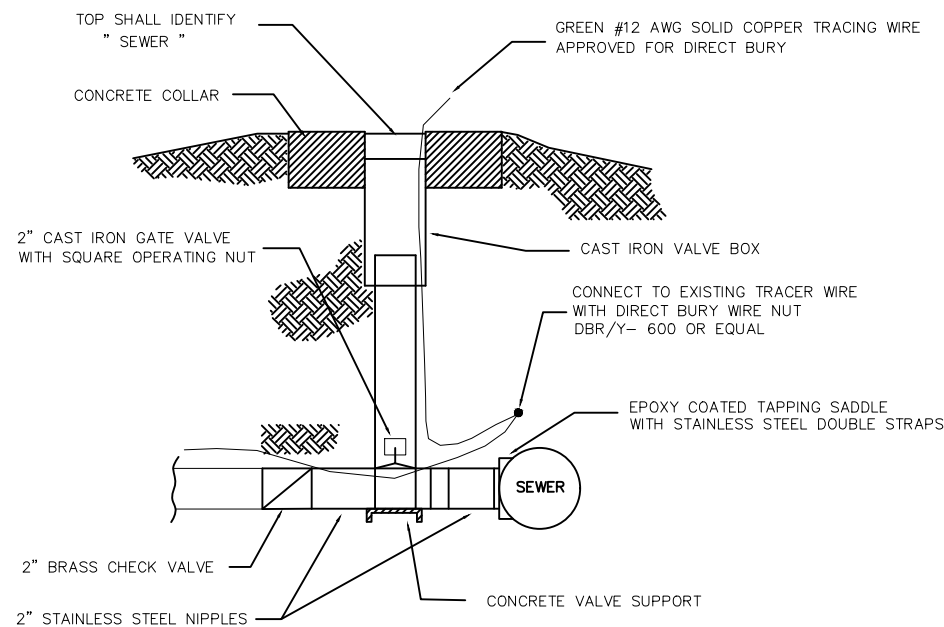
1. PUMP SHALL BE INSTALLED IN ACCORDANCE WITH THIS DETAIL AND IN ACCORDANCE WITH THE MANUFACTURER'S RECOMMENDATION. THE PUMP MUST BE ABLE TO PUMP 120 FEET OF HEAD MINIMUM.
2. BEFORE ALLOWING ANY FLOW TO ENTER THIS SYSTEM, THE CONTRACTOR SHALL ARRANGE TO HAVE A FORMAL INSPECTION BY THE TOWN OF LEXINGTON (803-359-2434)
3. PIPE SHALL BE SCHEDULE 80 PVC. TRACER WIRE (#12 SOLID COPPER WIRE WITH GREEN INSULATION) SHALL BE INSTALLED ALONG THE BURIED PIPE ROUTE FROM THE GATE VALVE NEAR THE PUMP TANK TO THE GATE VALVE AT THE TAP. THE TRACER WIRE SHALL BE CONTINUOUS, IN ONE PIECE, AND SHALL BE PULLED UP AT EACH VALVE BOX FOR ACCESSIBILITY.
4. ALL ELECTRICAL WORK SHALL BE PERFORMED IN ACCORDANCE WITH ALL APPLICABLE CODES. A LICENSED ELECTRICIAN SHALL MAKE THE FINAL CONNECTION TO THE POWER AND CERTIFY THAT ALL WIRING AND CONTROLS ARE IN ACCORDANCE WITH ALL APPLICABLE CODES. A GAS TIGHT SEAL SHALL BE MADE BETWEEN THE ELECTRICAL CONNECTION BOX AND THE CONDUIT LEADING TO THE PUMP CHAMBER.
5. THE CONTRACTOR SHALL VERIFY THE LOCATION OF ALL EXISTING UTILITIES (BOTH VERTICALLY AND HORIZONTALLY) PRIOR TO STARTING CONSTRUCTION.
6. THE CONTRACTOR IS RESPONSIBLE FOR ANY REROUTING AROUND EXISTING UTILITIES. DAMAGE TO EXISTING UTILITIES AND DISRUPTION OF SERVICE SHALL BE THE SOLE RESPONSIBILITY OF THE CONTRACTOR. NO EXISTING UTILITIES ARE SHOWN ON THIS PLAN.
7. THIS SYSTEM WILL NOT BE ALLOWED TO OPERATE UNTIL A HOMEOWNER AGREEMENT IS SIGNED WITH THE TOWN OF LEXINGTON AND ALL APPLICABLE SEWER FEES ARE PAID. THIS AGREEMENT INCLUDES AN EASEMENT AND ALLOWS THE TOWN OF LEXINGTON OFFICIALS TO INSPECT AND ACCESS THE SYSTEM AS NEEDED.
8. THE CONTRACTOR, OR SUB-CONTRACTOR, INSTALLING THE SYSTEM SHALL BE PROPERLY LICENSED.



USE REINFORCEMENT IN CONCRETE TANK (#4 BARS @ 6" O.C. EACH WAY)



DETAIL A
NTS



DETAIL "B"
VALVE BOX DETAIL
NTS